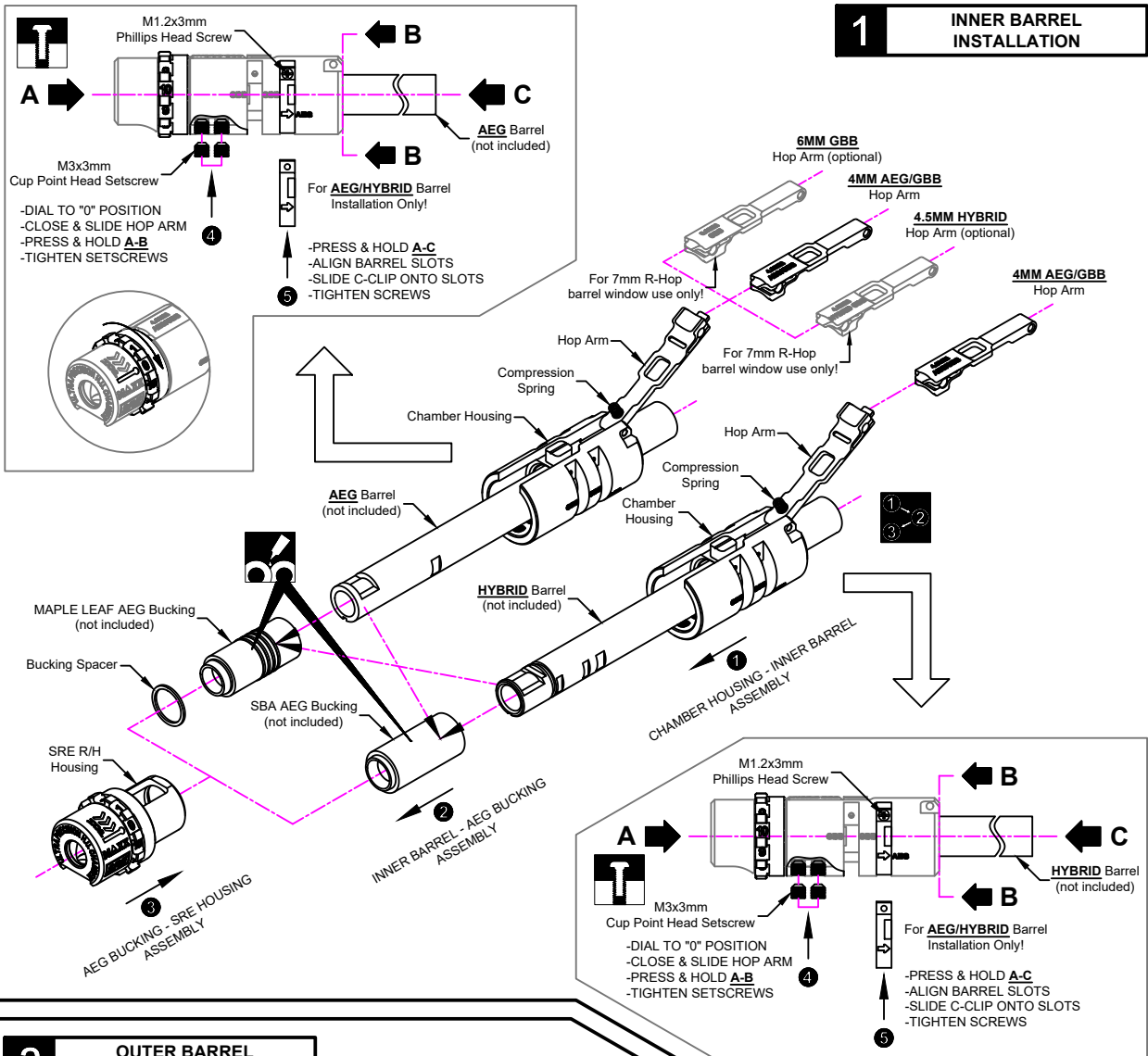


ULTRA PRECISION HOPUP CHAMBER SRE (R/H)

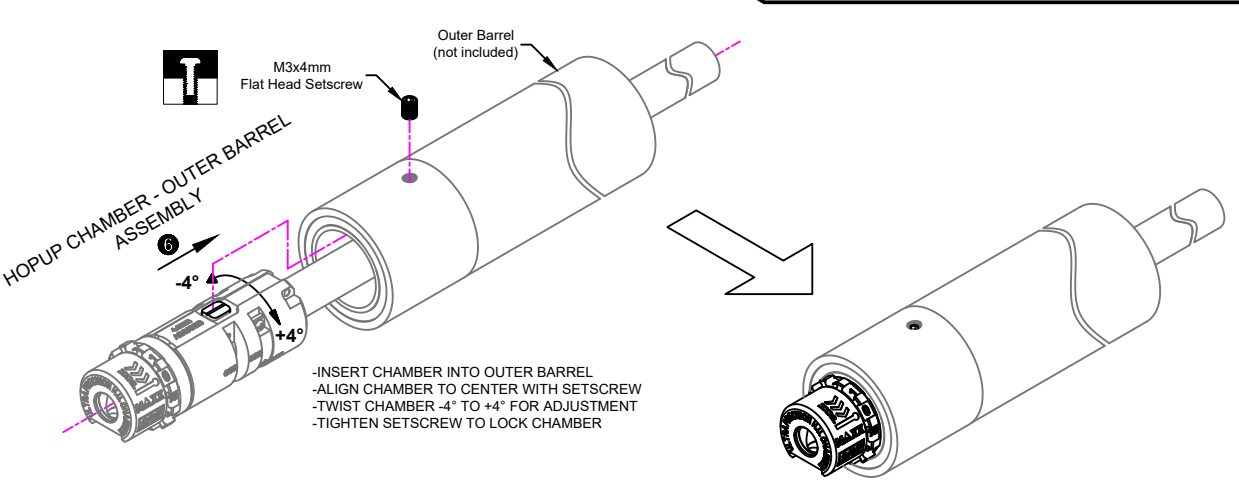
MAXX MODEL PRODUCTS, INC.

COPYRIGHT © 2019

1 INNER BARREL INSTALLATION



2 OUTER BARREL INSTALLATION



Assemble in this order



Apply Silicone grease



Tighten firmly, do not overtighten

CAUTION: Please check your model carefully before operation!

REV. MX-HOP009SER-241219-02